



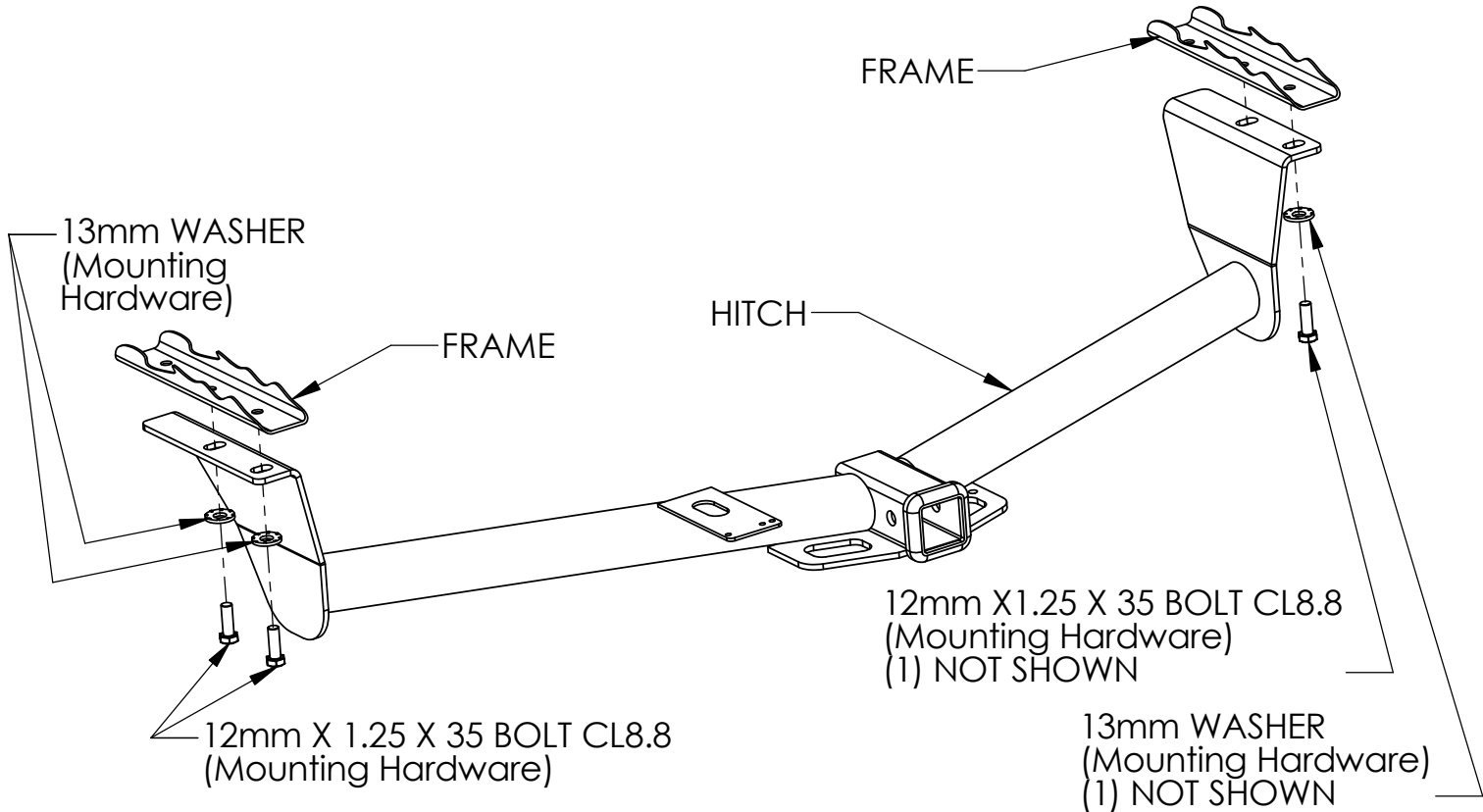
SEDONA
TOW HITCH

ASSEMBLY NUMBER: UV060 AY115

ECO#: 7999

REV: A

DATE: 09/19/05



INSTALLATION INSTRUCTIONS

1. Raise vehicle for access to underside.
2. Release the exhaust muffler from its hangers to get better access to frame fastener location.
3. Insert right hitch arm (passenger side) over exhaust pipe and slowly rotate hitch into position. Secure hitch by loosely installing bolts.
4. Push hitch forward against installed bolts. Tighten bolts to the following torque values: (A) 12mm bolts = 75 ft lbs (102 N-m). Attach all previously removed exhaust hangers.

ASSEMBLY INCLUDES:

- SHIPPING CARTON
- HITCH ASSEMBLY
- MOUNTING ARMS (LT & RT)
- MOUNTING BRACKETS
- SPACERS
- BALL MOUNT ASSEMBLY (INCLUDING PIN & CLIP)

MOUNTING KIT:

- (A) 4 EA. HH Bolt - M12mm X 1.25 X 35 mm CL8.8
- (B) 4 EA. 13 mm Conical Washer

PACKAGE WEIGHT: 58 lbs.

NOTE: THIS HITCH MUST BE CHECKED PERIODICALLY TO ENSURE ALL FASTENERS ARE TIGHT AND THAT STRUCTURAL MEMBERS AND COMPONENTS ARE SOUND.

WEIGHT CLASSIFICATION

HITCH TYPE	MAX GROSS TRAILER WEIGHT	MAXIMUM TONGUE WEIGHT
WEIGHT CARRYING	3500	350

VEHICLE

KIA, SEDONA

38699N REV A

